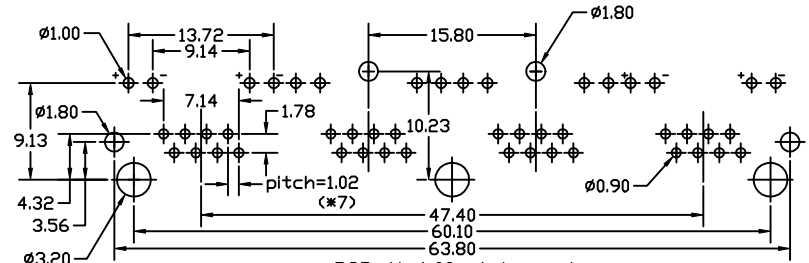
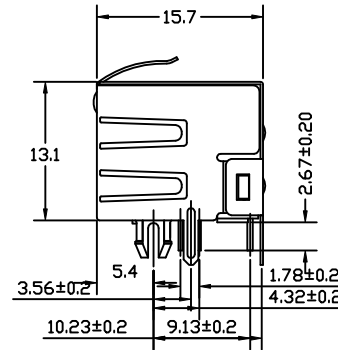
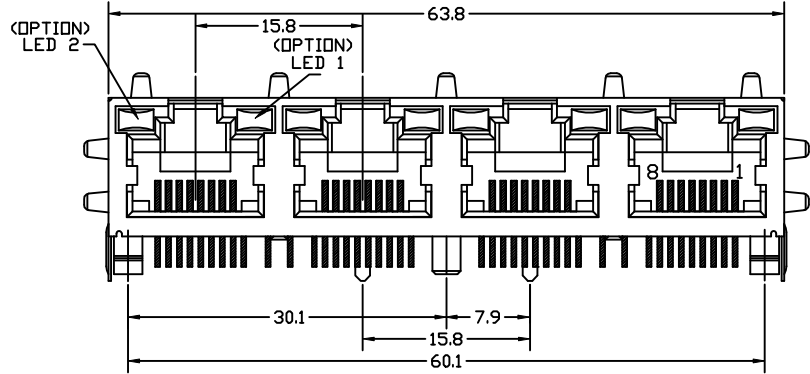


REVISION RECORD				
REV	ECD	DESCRIPTION	DRFT	CHKD



**NOTES:**

**ELECTRICAL:**

- VOLTAGE RATING : 125 VAC RMS.
- CURRENT RATING : 1.5 AMP.
- CONTACT RESISTANCE : 30 MILLIOHMS MAX.
- INSULATION RESISTANCE: 1000 MEGOHMS MIN @ 500 VDC.
- DIELECTRIC STRENGTH : 1000 VAC RMS 60Hz, 1MIN.
- LED RATINGS: FORWARD VOLTAGE: 2.2 VOLTS TYPICAL.  
REVERSE VOLTAGE: 5 VOLTS MAXIMUM.
- OPERATING: 750 CYCLES MIN.

**MECHANICAL:**

- HOUSING MATERIAL : FR52 A05-1700-L UL94V-0 YL
- INSERT MATERIAL : FR52 A05-1700-L UL94V-0 YL
- BACK PLATE MATERIAL : FR52 A05-1700-L UL94V-0 YL  
: 3.2\*2.0\*4.0\*P=2.54mm.
- SHIELD MATERIAL : COPPER ALLOY 0.25mm THICKNESS PLATING NI.
- CONTACT MATERIAL : PHOSPHOR BRONZE 0.35mm THICKNESS OR Ø0.46mm.
- PLATING : GOLD PLATING OVER NICKEL.
- PCB RETENTION PRE-SOLDER : 1 LB MIN.
- PCB RETENTION POST-SOLDER: 10 LBS MIN.

**ENVIRONMENTAL:**

- STORAGE : -40°C TO +85°C.
  - OPERATION: 0°C TO 70°C.
  - WAVE SOLDERING TEMPERATURE: 255~265°C (5~10 SECONDS)
- MATES WITH MODULAR PLUG CONFORMING TO  
FCC PART 68, SUBPART F.  
CUL FILE NO. E163191

PART NUMBER: E 5J 8 8 - X X C M D X-L

- 1-LED1: GREEN ,LED2: YELLOW .
- 2-LED1: GREEN ,LED2: GREEN .
- 3-LED1: YELLOW,LED2: GREEN .
- 7-LED1: YELLOW,LED2: YELLOW.
- E-LED1:GREEN, LED2:RED.

PLATING: 1-3u" 2-6u"  
3-15u" 4-30u" 5-50u"

MD-W/O LOGO FR52 YL  
NI LEAD SHIELD STAMPED PIN

- 1-NO TAB
- 2-TOP TABS.
- 3-SIDE TABS.
- 4-TOP TABS & SIDE TABS.

DETACHED LISTS	MM (INCH)	DFTD YANGLAN	DATE 08/26/05'	FULL RISE ELECTRONIC CO., LTD		
	TOLERANCES EXCEPT AS NOTED	CHKD JAKE	DATE 2005/08/26			
	MM	MFD	DATE	TITLE		
	.0 ± 0.20	APPVLLUSHENG	DATE 2005/08/26			
.00 ± 0.15	MATERIAL :		RJ45SIDE ENTRY LED GANGJACK 4 PORTS			
.000 ± 0.075	FINISH:					
ANGLES ±	QTY :		DRAWING NO. GE5J3239-LA		SIZE	REV
THIRD ANGLE PROJECTION	SCALE :		/PART NO. SEE NOTE		A3	0
DD NOT SCALE DRAWING			SHEET 1		OF 1	